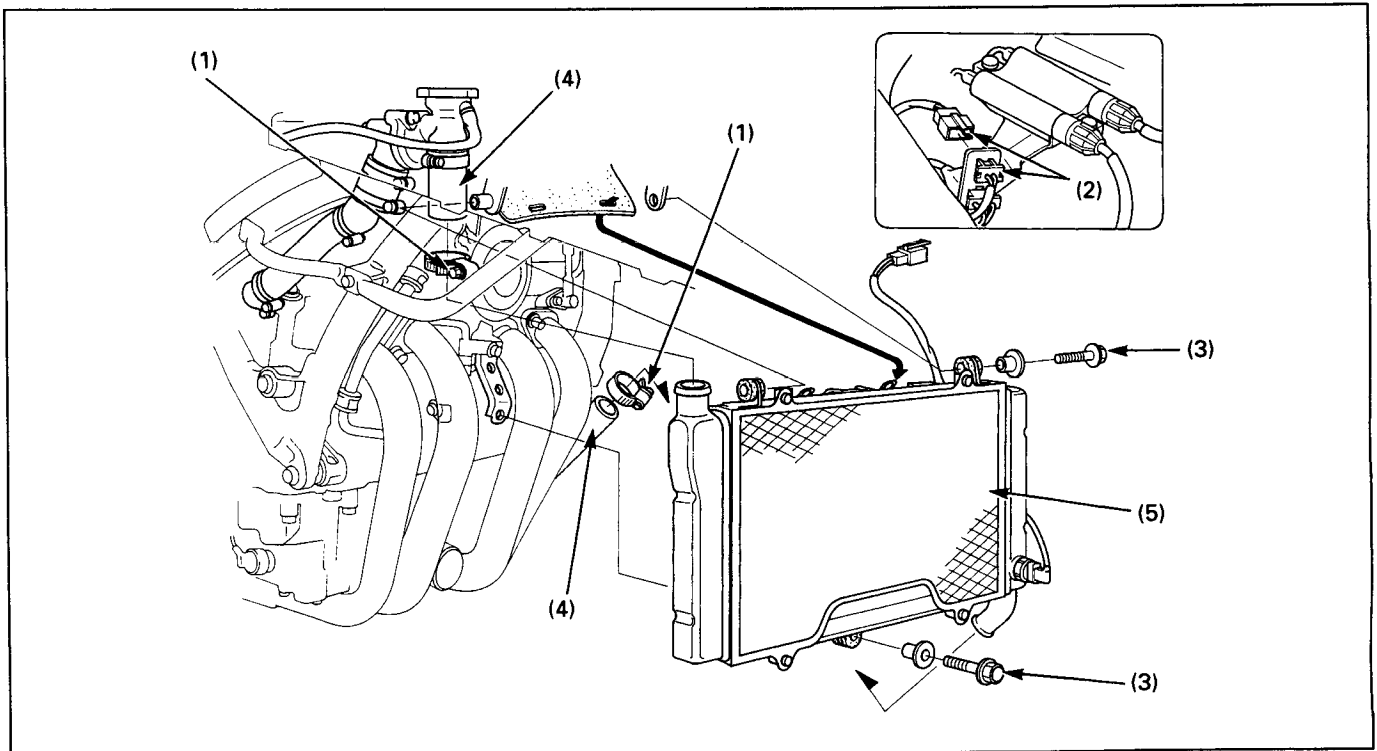


Radiator Removal/Installation



Requisite Service

- Coolant draining/refilling
- Lower fairing removal/installation (page 2-6)

Procedure	Q'ty	Remarks
Removal Order (1) Radiator hose band (2) Cooling fan wire connector (3) Radiator mounting bolt (4) Radiator hose (5) Radiator assembly	2 1 2 2 1	Installation is in the reverse order of removal. Only loosen. CAUTION • During removal and installation, be careful not to damage the radiator core. NOTE • At installation, align the grommet hole with the boss on the frame.