

Remove exceeded drive chain link from the new drive chain using the drive chain cutter.

NOTE

- Include the master link when you count the drive chain links.

Replacement chain: DID.: 50ZV-120ZB
 RK: 50LRO-120LJ-FZ

Specified links: 114 links



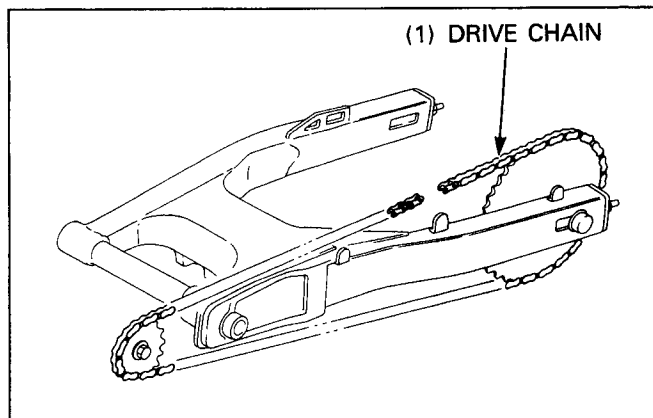
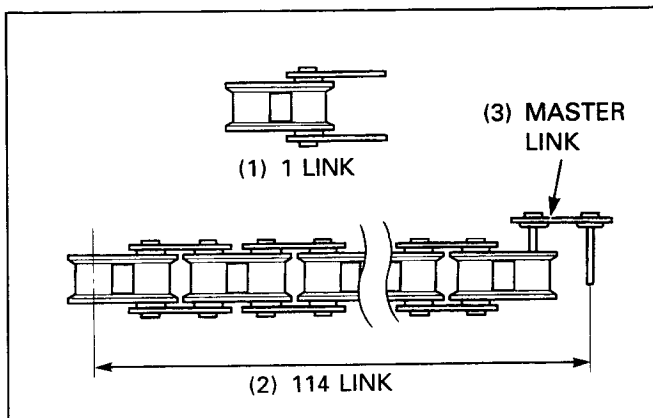
Drive chain Cutter

07HMH-MR10102

CAUTION

- Never reuse the old drive chain, master link, master link plate and O-rings.

Install the new drive chain as shown.



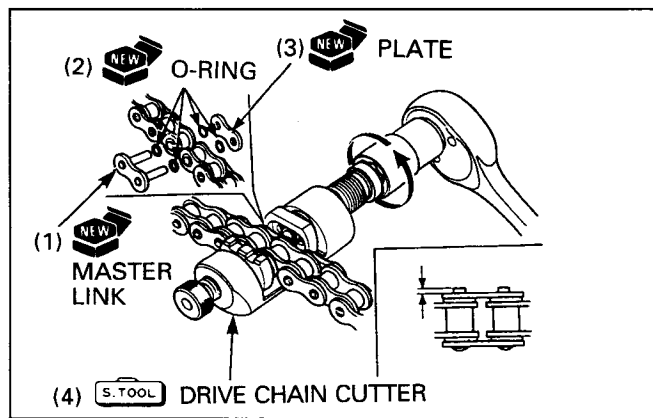
Assemble the new master link, O-rings and plate.

CAUTION

- Insert the master link from the inside of the drive chain and install the plate with the identification mark facing the outside.

Assemble and set the drive chain cutter. Check that the master link pins are installed properly by measuring the master link pin length projected from the plate.

Projection: DID: 1.15–1.55 mm (0.045–0.061 in)
 RK: 1.2–1.4 mm (0.05–0.06 in)



Stake the master link pins.

