

Pivot Under Cover

Removal/Installation

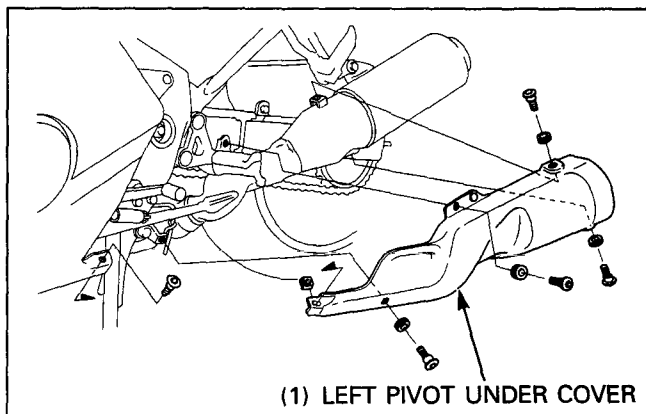
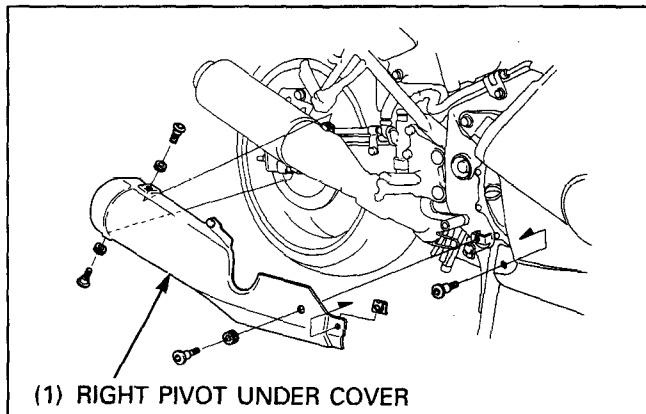
⚠ WARNING

- Do not remove the pivot under cover while the exhaust system is hot.

Remove the pivot covers (page 2-5).

Remove the socket bolts, and pivot under cover.

Installation is in the reverse order of removal.

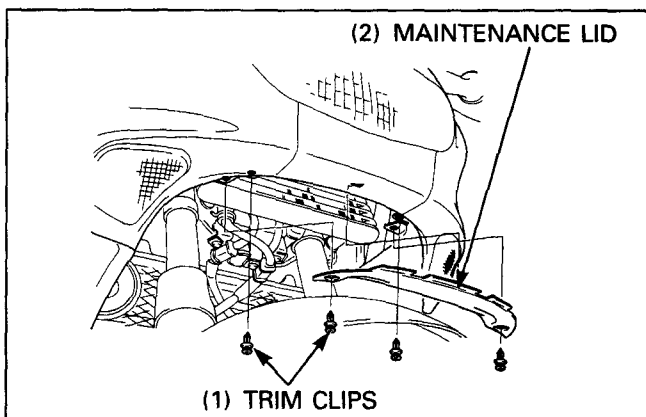


Lower Fairing

Removal

Remove the trim clips and maintenance lid.

Remove the trim clips securing the lower fairing and upper



Remove the trim clips connecting the both lower fairings.

