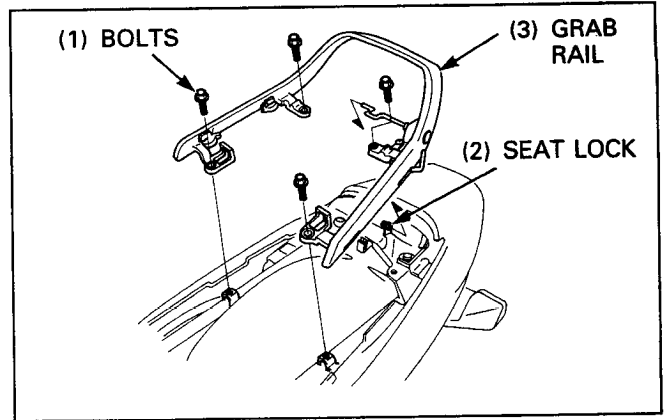


Seat Cowl

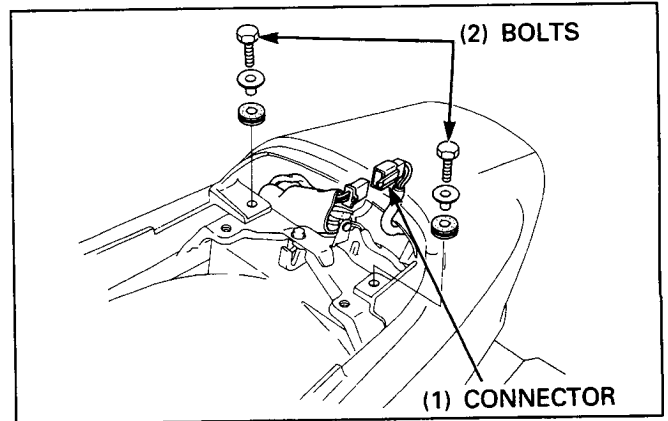
Removal

Remove the seat (page 2-3).

Remove the four grab rail mounting bolts.
Remove the grab rail while releasing the seat lock link from the seat lock.



Disconnect the tail/brake light connector.
Remove the seat cowl mounting bolts and collars.



Release the tabs from the frame hooks while pulling the seat cowl backward, then remove the seat cowl.
Remove the hook rubbers.

Remove the three screws and tail/brake light unit.

Installation

Installation is in the reverse order of removal.

NOTE

- At installation, install the hook rubbers securely onto the tabs of the seat cowl.

