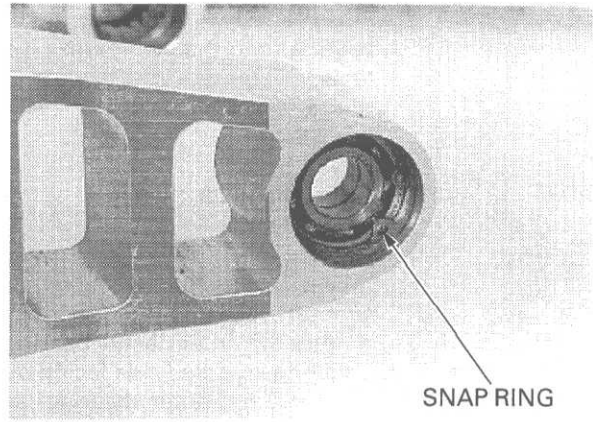


### PIVOT BEARING REPLACEMENT

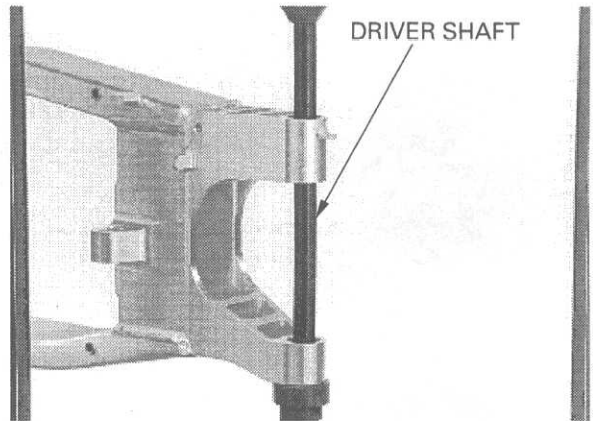
Remove the snap ring.



Press the right pivot bearings (radial ball bearings) out from the swingarm pivot using the special tool.

**TOOL:**

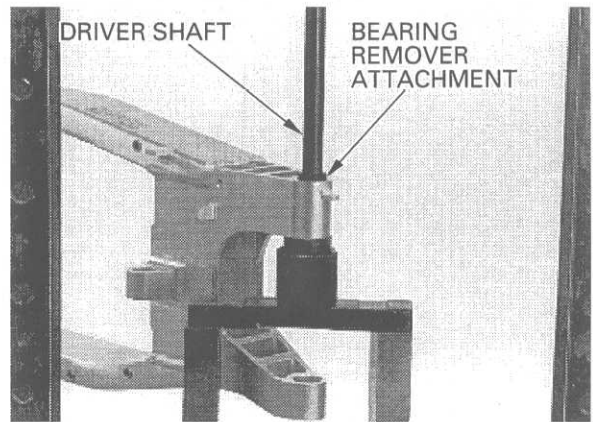
**Driver shaft** 07946-MJ00100



Press the left pivot bearing (needle bearing) out of the swingarm pivot using the special tools.

**TOOLS:**

**Bearing remover attachment** 07GMD-KT70200  
**Driver shaft** 07946-MJ00100



Press a new left pivot inner bearing (needle bearing) into the swingarm pivot using the special tools.

**TOOLS:**

**Driver** 07749-0010000  
**Attachment, 28 × 30 mm** 07746-1870100  
**Pilot, 22 mm** 07746-0041000

**NOTE:**

- Press the inner needle bearing into the swingarm with the marked side facing out.
- Install the inner bearing so that the needle bearing surface is lower 28–29 mm (1.10–1.14 in) from the end of the swingarm pivot surface.

