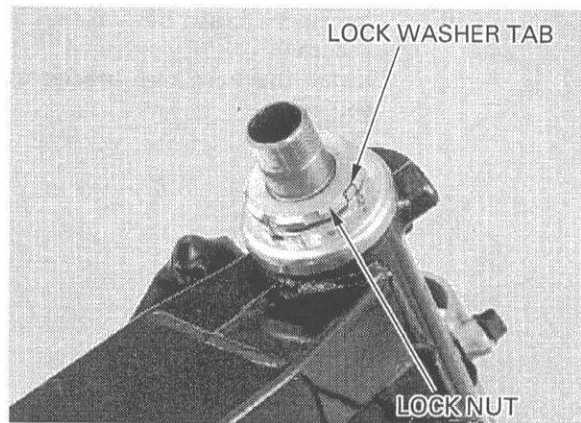


Install and finger tighten the lock nut.
Hold the bearing adjusting nut and further tighten the lock nut within 1/4 turn (90°) enough to align its grooves with the lock washer tabs.

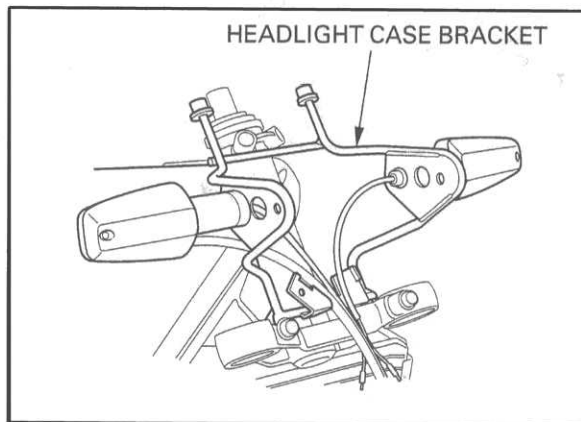
Bend the lock washer tabs up into the lock nut groove.



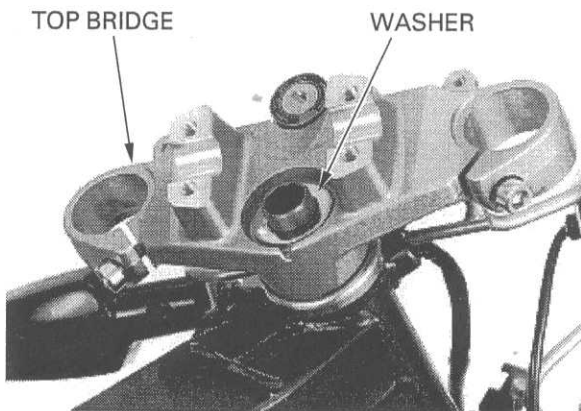
Install the headlight case bracket onto the steering stem.

NOTE:

Route the wires, cables properly (page 1-22).



Install the top bridge and washer.



Install the fork legs (page 12-24).

Install the stem nut.
Tighten the steering stem nut to the specified torque.

TORQUE: 103 N·m (10.5 kgf·m , 76 lbf·ft)

