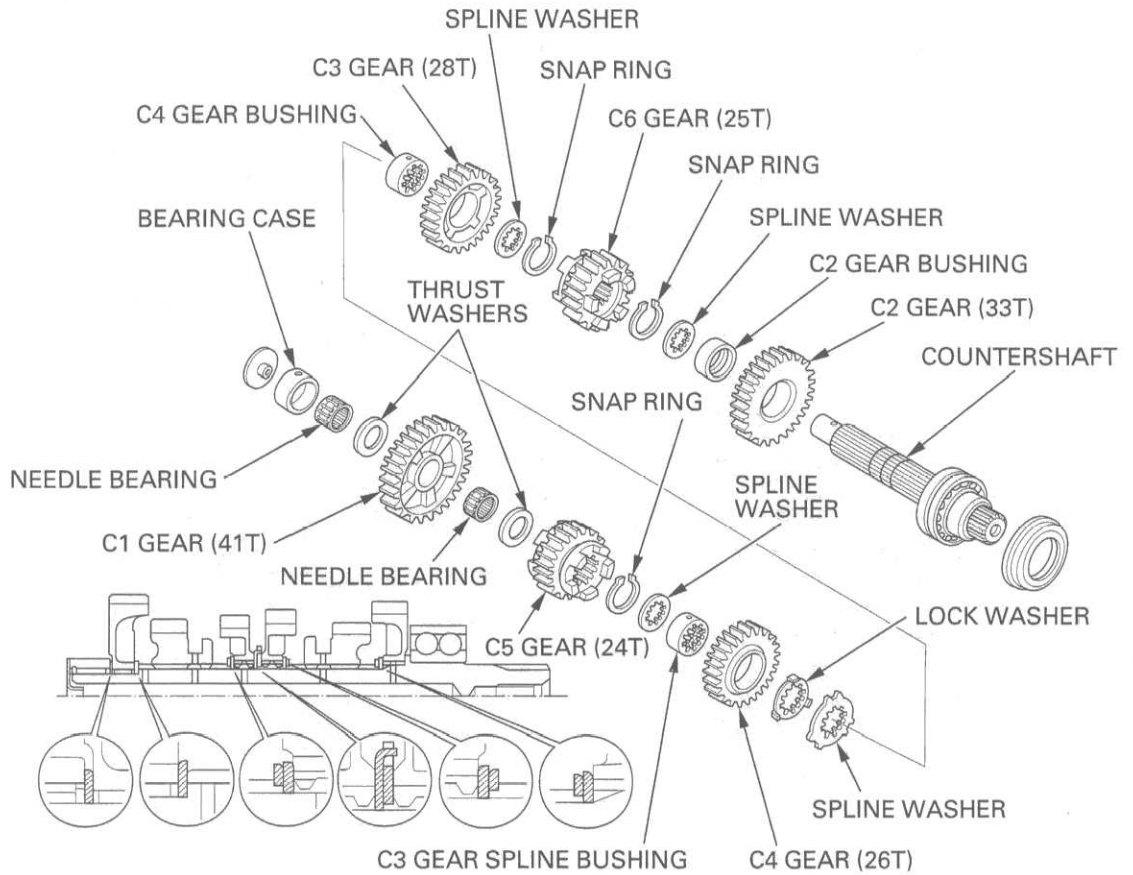
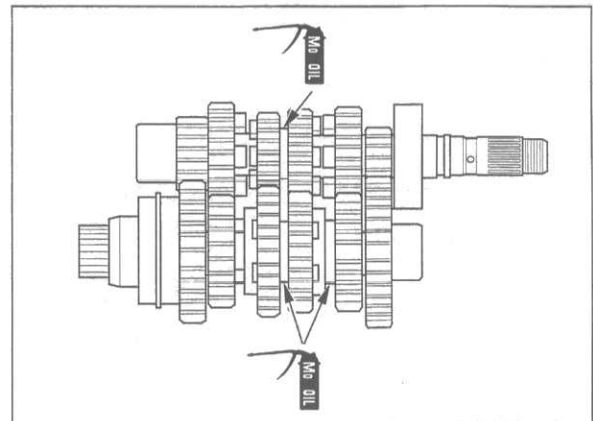


## Countershaft:



Assemble the transmission gear and shafts. Coat each gear with clean engine oil and check for smooth movement.

Apply molybdenum disulfide oil to the shift fork grooves in the M3/4, C5 and C6 gear.



## INSTALLATION

Install the shift drum and bearing into the lower crankcase.

