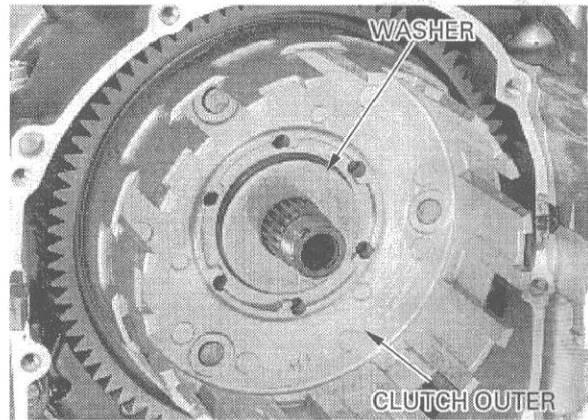
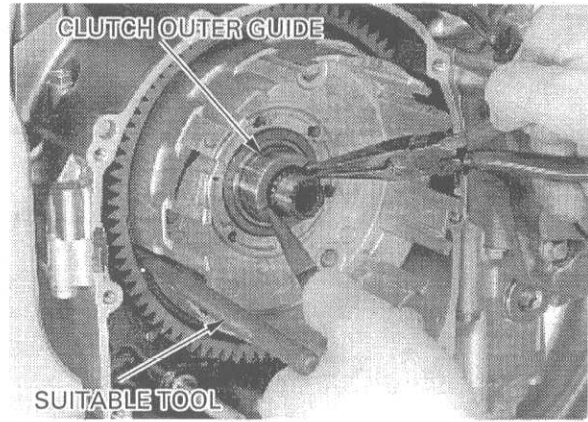


Line up the gear teeth of the primary driven gears with a 5 mm pin (or suitable tool).
 Apply molybdenum disulfide oil to the clutch outer guide.
 Install the clutch outer guide with the ribbed side facing out.
 Install the clutch outer, aligning the clutch outer holes with the oil pump driven sprocket pushing in on the clutch outer lightly.

After installing the clutch outer guide, remove the 5 mm pin (or suitable tool) from the primary driven gear.

Install the washer onto the mainshaft.



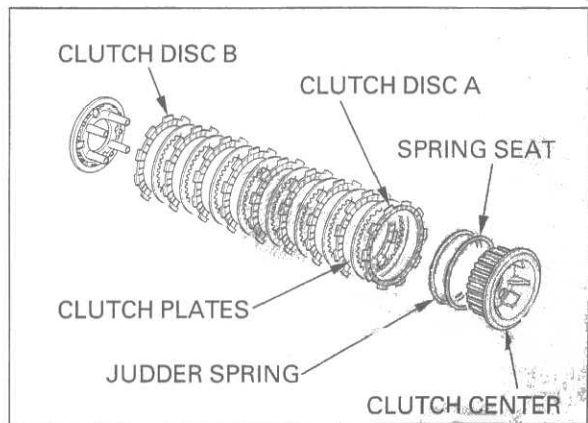
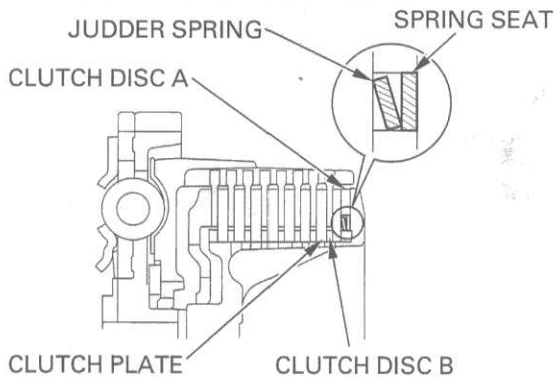
Coat the clutch discs, plates with clean engine oil.

Install the spring seat and judder spring onto the clutch center as shown.
 Install the clutch disc A (larger I.D. disc) into the clutch outer.

Stack the clutch discs and plates alternately.

NOTE:

Note the direction of the judder spring.



Install the pressure plate to the clutch center aligning the punch marks between the clutch center and pressure plate.

