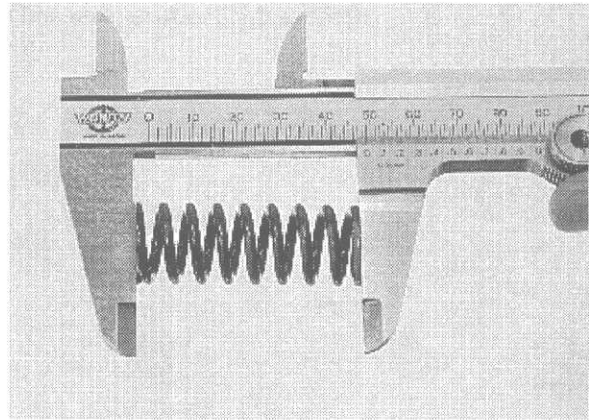


CLUTCH/GEARSHIFT LINKAGE

Clutch spring

Measure the clutch spring free length.

SERVICE LIMIT: 48.3 mm (1.90 in)

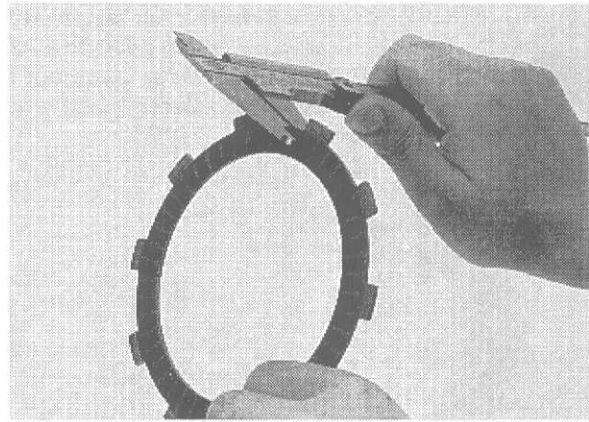


Clutch disc

Replace the clutch discs if they show signs of scoring or discoloration.

Measure the disc thickness of each disc.

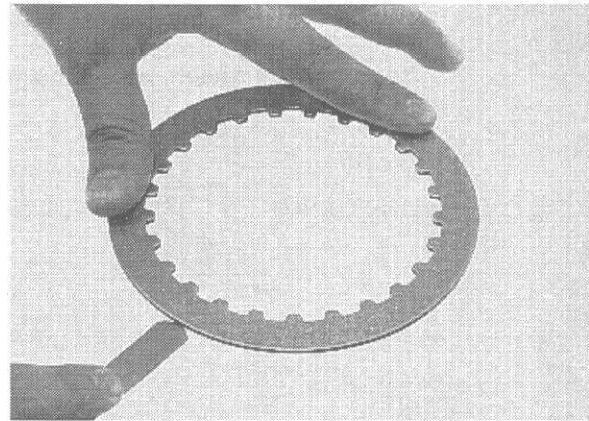
SERVICE LIMIT: 2.60 mm (0.102 in)



Clutch plate

Check each disc plate for warpage on a surface plate using a feeler gauge.

SERVICE LIMIT: 0.30 mm (0.012 in)



Clutch center

Check the grooves of the clutch center for damage or wear caused by the clutch plates. Replace if necessary.

