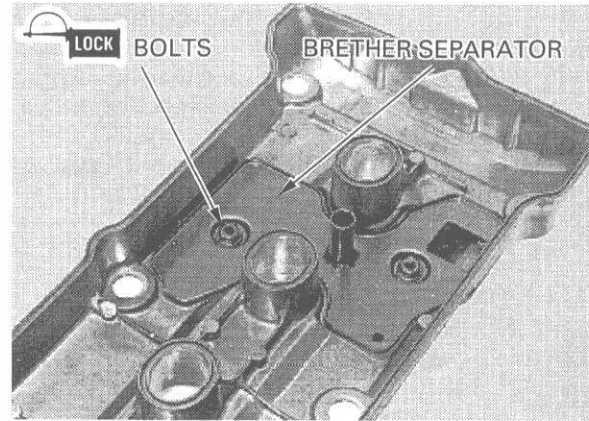


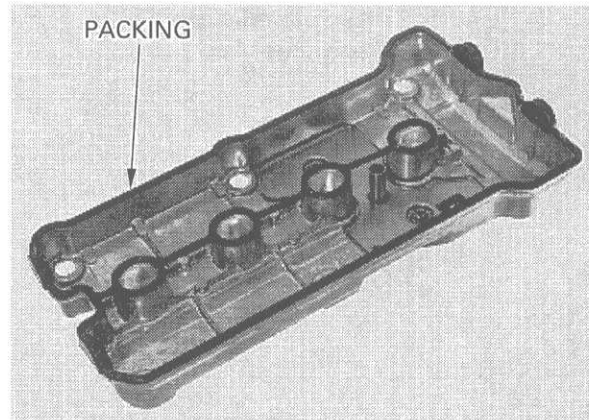
CYLINDER HEAD/VALVES

Apply a locking agent to the crankcase breather separator mounting bolt threads.
Tighten the bolts to the specified torque.

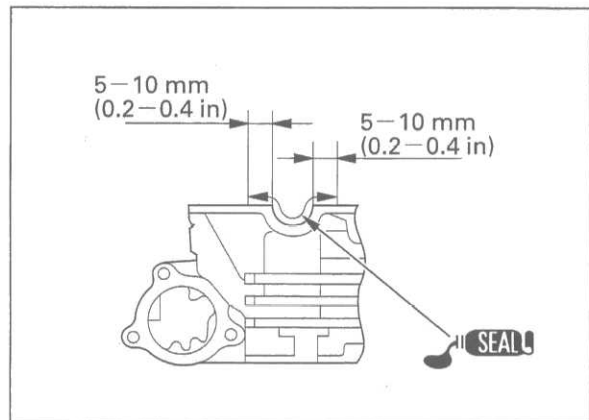
TORQUE: 12 N·m (1.2 kgf·m , 9 lbf·ft)



Install the cylinder head packing into the groove of the cylinder head cover.



Apply sealant to the cylinder head semi-circular cut-outs as shown.



Install the cylinder head cover onto the cylinder head.

Install the washers with their "UP" mark facing up.

