

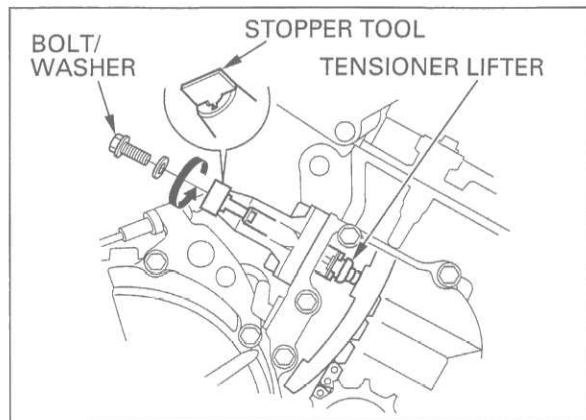
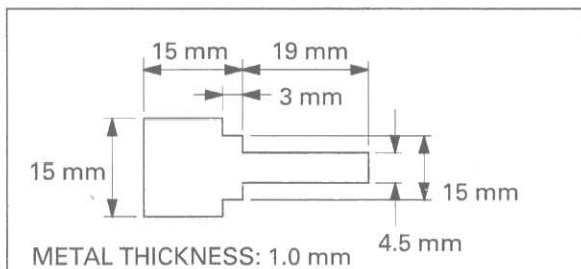
CAMSHAFT REMOVAL

Remove the cylinder head cover (page 8-4).

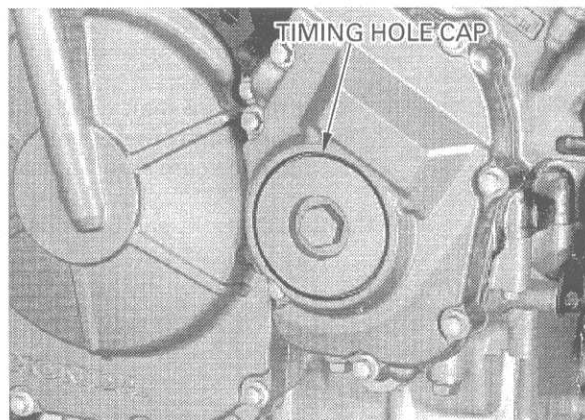
Remove the cam chain tensioner lifter sealing bolt and sealing washer.

Turn the tensioner lifter shaft fully in (clockwise) and secure it using the stopper tool.

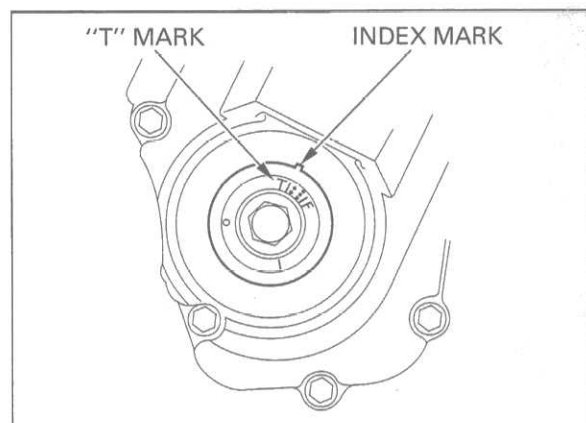
This tool can easily be made from a thin (1 mm thickness) piece of steel.



Remove the timing hole cap and O-ring.



Turn the crankshaft clockwise, align the "T" mark on the ignition pulse generator rotor with the index mark on the ignition pulse generator rotor cover.



The timing marks ("IN" and "EX") on the cam sprockets must be flush with the cylinder head surface and facing outward as shown.

If the timing marks on the cam sprocket facing inward, turn the crankshaft clockwise one full turn (360°) and realign the timing marks with the cylinder head surface so they are facing outward.

