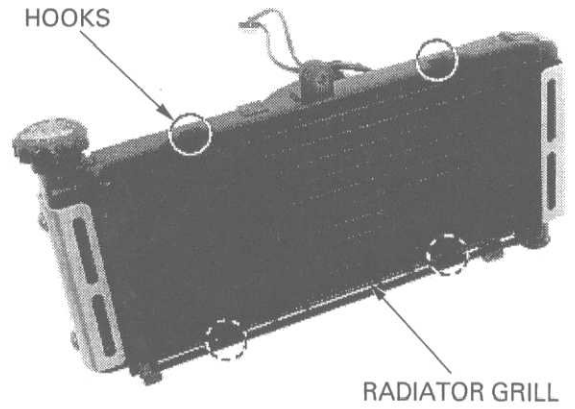


Install the radiator grill while aligning the tabs to the hooks on the radiator.

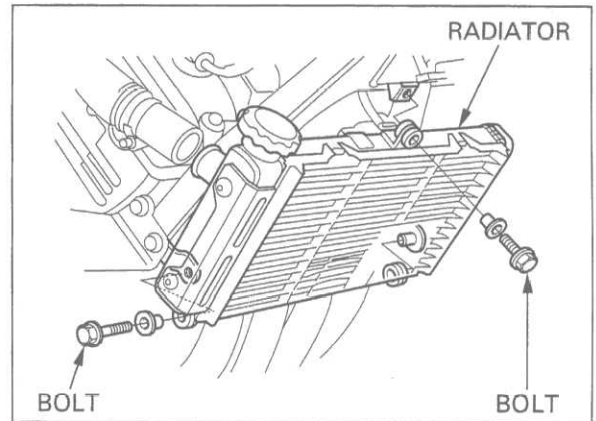


INSTALLATION

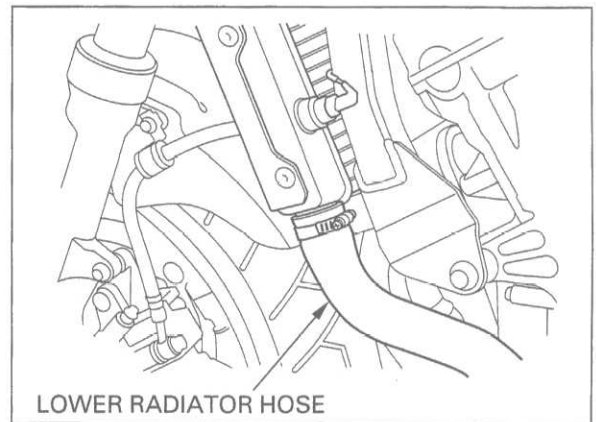
CAUTION:

Be careful not to damage the radiator core.

Install the radiator from the right side and align the boss on the engine hanger with the grommet of the radiator.
Install and tighten the two mounting bolts.



Connect the lower radiator hose and tighten the hose clamp screw securely.



Connect the upper radiator hose and siphon tube, tighten the hose clamp screws securely.

