

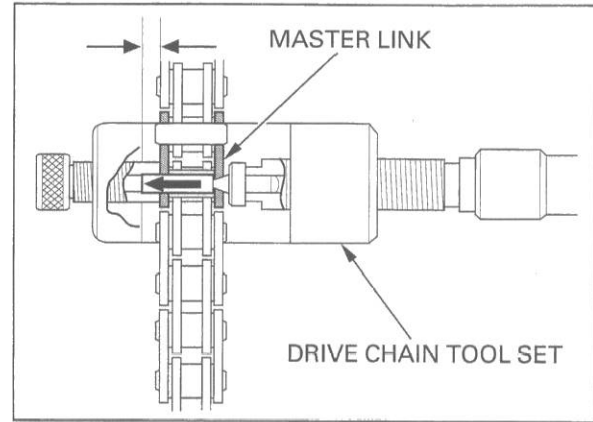
MAINTENANCE

Locate the crimped pin ends of the master link from the outside of the chain, and remove the link with the drive chain tool set.

TOOL:

Drive chain tool set 07HMH-MR10103

Remove the drive chain.



Remove the excess drive chain links from the new drive chain with the drive chain tool set.

NOTE:

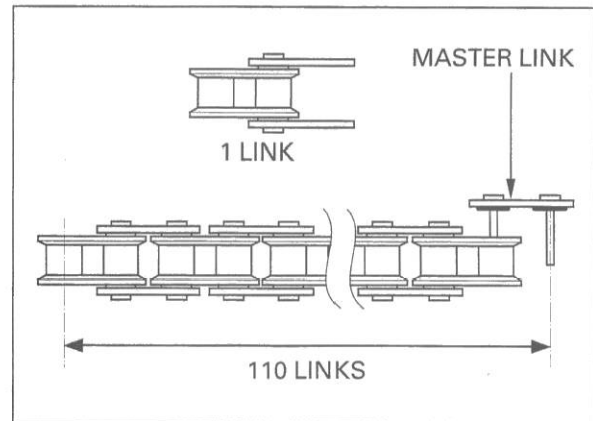
Include the master link when you count the drive chain links.

STANDARD LINKS: 110 links

REPLACEMENT CHAIN:

DID: DID525VM2-120ZB

RK: RK525RO-120LJ-FZ



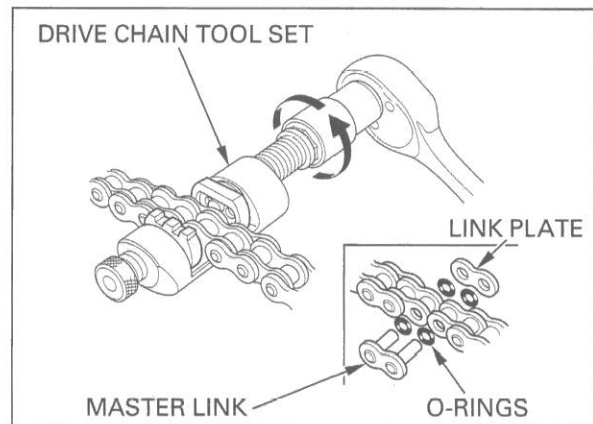
CAUTION:

Never reuse the old drive chain, master link, master link plate and O-rings.

Assemble the new master link, O-rings and plate.

CAUTION:

Insert the master link from the inside of the drive chain, and install the plate with the identification mark facing the outside.



Assemble and set the drive chain tool set.

TOOL:

Drive chain tool set 07HMH-MR10103

Make sure that the master link pins are installed properly.

Measure the master link pin length projected from the plate.

STANDARD LENGTH:

DID: 1.15-1.55 mm (0.045-0.061 in)

RK: 1.2-1.4 mm (0.05-0.06 in)

Stake the master link pins.

