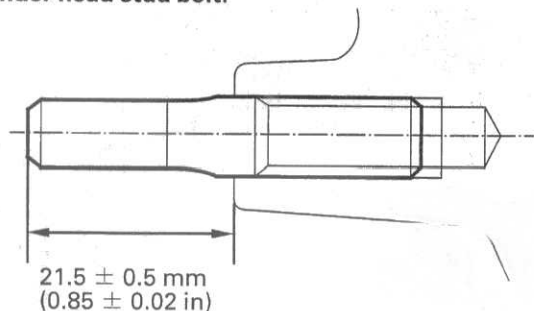


# GENERAL INFORMATION

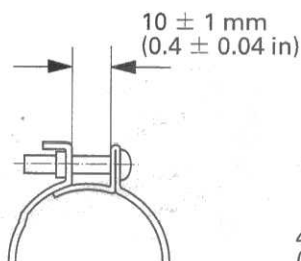
## ENGINE (Cont'd)

ITEM	Q'TY	THREAD DIA. (mm)	TORQUE N-m (kgf-m, lbf-ft)	REMARKS
<b>CYLINDER HEAD/VALVES:</b>				
Cylinder head sealing bolt	1	18	32 (3.3, 24)	NOTE 2
Cylinder head socket bolt	10	9	47 (4.8, 35)	NOTE 5
No.1 intake vacuum port plug	1	5	3 (0.3, 2.2)	
Cylinder head cover bolt	6	6	10 (1.0, 7)	
Camshaft holder flange bolt	20	6	12 (1.2, 9)	NOTE 5
Breather plate flange bolt	2	6	12 (1.2, 9)	NOTE 2
Cam sprocket bolt	4	7	20 (2.0, 14)	NOTE 2
Cylinder head stud bolt	8	8	—	See below
Cam chain tensioner cap nut	1	6	12 (1.2, 9)	
Cam chain lifter sealing bolt	1	6	10 (1.0, 7)	
<b>CLUTCH/GEARSHIFT LINKAGE:</b>				
Clutch center lock nut	1	20	108 (11.0, 80)	NOTE 4, 5
Clutch spring bolt	4	6	12 (1.2, 9)	
Shift drum center socket bolt	1	8	23 (2.3, 17)	NOTE 2
Shift drum stopper pivot bolt	1	6	12 (1.2, 9)	
Gearshift return spring pin	1	8	23 (2.3, 17)	
<b>ENGINE REMOVAL/INSTALLATION:</b>				
Drive sprocket special bolt	1	10	54 (5.5, 40)	
<b>CRANKCASE/PISTON/CYLINDER:</b>				
Main journal bolt	10	8	25 (2.6, 19)	NOTE 5
Crankcase bolt, 10 mm	1	10	39 (4.0, 29)	
8 mm	1	8	24 (2.4, 17)	
Lower crankcase sealing bolt, 20 mm	1	20	29 (3.0, 22)	NOTE 2
Lower crankcase sealing bolt, 14 mm	1	14	25 (2.5, 18)	NOTE 2
Connecting rod nut	8	7	25 (2.6, 19)	NOTE 5
<b>ALTERNATOR:</b>				
Flywheel flange bolt	1	10	103 (10.5, 76)	NOTE 5
Stator mounting socket bolt	4	6	12 (1.2, 9)	
Alternator wire clamp socket bolt	1	6	10 (1.0, 7)	
Starter clutch outer socket bolt	6	6	16 (1.6, 12)	NOTE 2
<b>IGNITION SYSTEM:</b>				
Ignition pulse generator rotor special bolt	1	10	59 (6.0, 43)	
<b>ELECTRIC STARTER/STARTER CLUTCH:</b>				
Starter motor terminal nut	1	6	10 (1.0, 7)	
<b>LIGHTS/METERS/SWITCHES:</b>				
Oil pressure switch	1	PT 1/8	12 (1.2, 9)	NOTE 1
Oil pressure switch terminal screw	1	4	2 (0.2, 1.4)	
Neutral switch	1	10	12 (1.2, 9)	

Cylinder head stud bolt:



Connecting tube clamp:



Insulator clamp:

