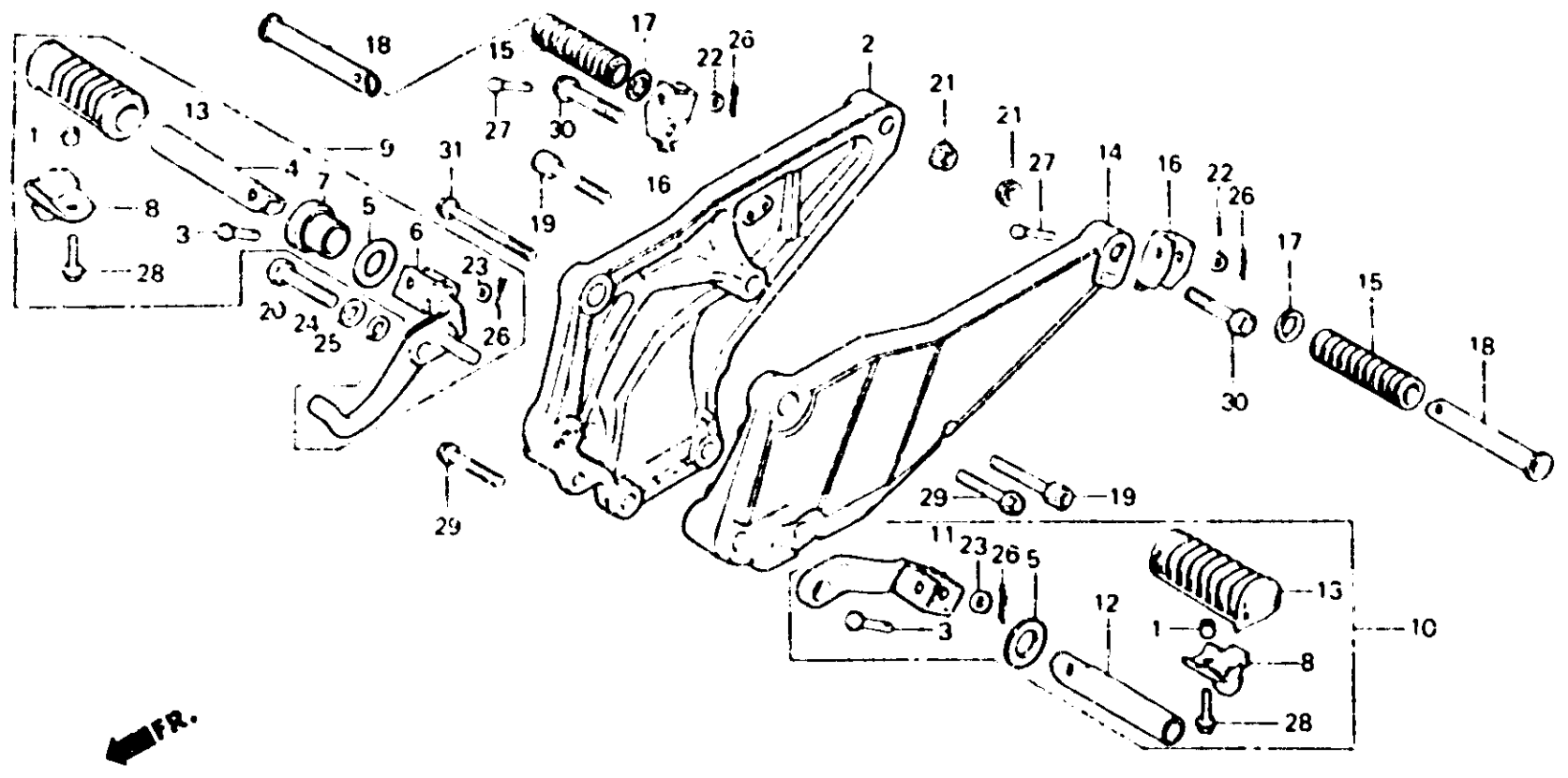


2-E8

F-20

Step
Repose pieds
Tritt
Estribo



8443-26A

| Item d'entretien | T.D.R. | N° de réf. | N° de pièce | Description | N° de requis | | | | | | | | N° de série | Code de zone |
|------------------|--------|------------|---------------|---------------------------------------|--------------|---------|----------|----------|----------|----------|----------|----------|-------------|--------------|
| | | | | | CB 250N | CB 400N | CB 250Ns | CB 400Ns | CB 250Ns | CB 400Ns | CB 250Ns | CB 400Ns | | |
| | | 7 | 50616-443-610 | ENTRETOISE DE BRAS DE REPOSE-PIEDS D. | 1 | 1 | 1 | 1 | 1 | 1 | 1 | 1 | | |
| | | 8 | 50619-443-610 | BUTEE DE CAOUTCHOUC DE REPOSE-PIEDS | 2 | 2 | 2 | 2 | 2 | 2 | 2 | 2 | | |
| | | 9 | 50630-443-610 | ENS. REPOSE PIEDS D. | 1 | 1 | - | - | - | - | - | - | | |
| | | | 50630-443-700 | ENS. REPOSE PIEDS D. | - | - | 1 | 1 | 1 | 1 | 1 | 1 | | |
| | | 10 | 50640-443-610 | ENS. REPOSE PIEDS G. | 1 | 1 | 1 | 1 | 1 | 1 | 1 | 1 | | |
| | | 11 | 50641-443-610 | BRAS COMP. REPOSE PIEDS G. | 1 | 1 | 1 | 1 | 1 | 1 | 1 | 1 | | |
| | | 12 | 50643-413-000 | BARRE DE REPOSE PIEDS G. | 1 | 1 | 1 | 1 | 1 | 1 | 1 | 1 | | |
| | | 13 | 50661-413-000 | CAOUTCHOUC DE REPOSE-PIEDS | 2 | 2 | 2 | 2 | 2 | 2 | 2 | 2 | | |
| | | 14 | 50700-443-610 | SUPPORT COMP. REPOSE PIED G. | 1 | 1 | - | - | - | - | - | - | | |
| | | | | | - | - | 1 | - | - | - | - | - | 2124888 | |
| | | | | | - | - | - | 1 | - | - | - | - | 2112850 | |
| | | • | 50700-443-611 | SUPPORT COMP. REPOSE PIED G. | - | - | - | - | 1 | 1 | 1 | 1 | | |
| | | | | | - | - | 1 | - | - | - | - | - | 2124889 | |
| | | | | | - | - | - | 1 | - | - | - | - | 2112851 | |
| | | 15 | 50710-377-000 | CAOUTCHOUC DE MARCHE-PIED SELLE AR | 2 | 2 | 2 | 2 | 2 | 2 | 2 | 2 | | |