

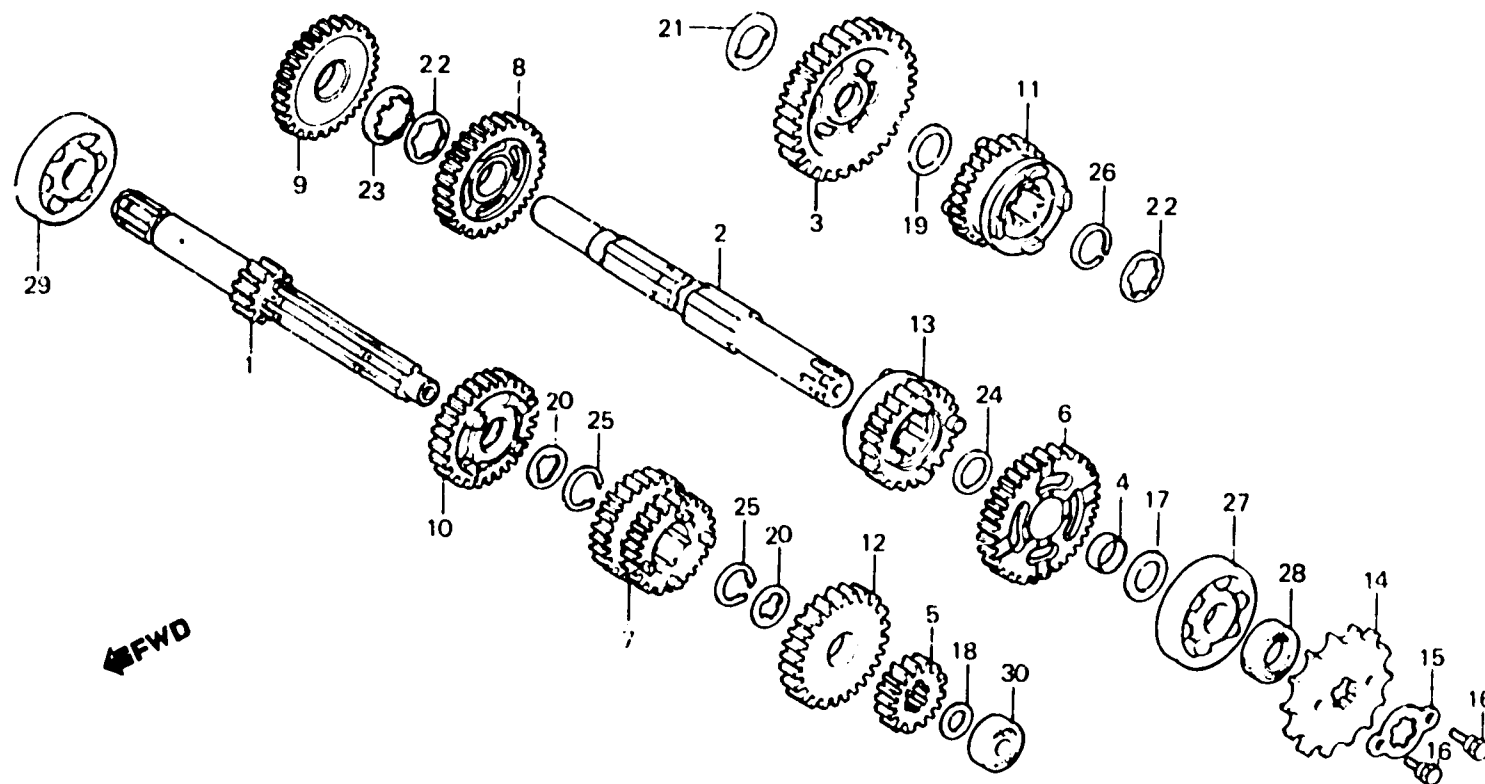
# C 13

E-8

Transmission

Transmission

Getriebe



8169-8A

| Item d'entretien | T.D.R. | N° de réf. | N° de pièce    | Description                                 | N° de rouis |            |            |            |            |            |            | N° de série | Code de zone |
|------------------|--------|------------|----------------|---|-------------|------------|------------|------------|------------|------------|------------|-------------|--------------|
|                  |        |            |                |   | CR50<br>R0  | CR60<br>R0 | CP50<br>RE | CR60<br>RE | CR50<br>Rf | CR60<br>Rf | CR60<br>R0 |             |              |
|                  |        | 11         | 23501-GC4-700  | PIGNON CINQUIEME D'ARBRE DE<br>RENGOI (25T) | 1           | 1          | 1          | 1          | 1          | 1          | 1          |             |              |
|                  |        | 12         | 23511-GC4-700  | PIGNON SIXIEME D'ARBRE<br>PRINCIPAL         | 1           | 1          |            |            |            |            |            |             |              |
|                  |        |            | 23511-GC4-730  | PIGNON SIXIEME D'ARBRE<br>PRINCIPAL         |             |            | 1          | 1          | 1          | 1          | 1          |             |              |
|                  |        | 13         | 23515-GC4-000  | PIGNON SIXIEME D'ARBRE DE<br>RENGOI (23T)   | 1           | 1          | 1          | 1          | 1          | 1          | 1          |             |              |
|                  |        | 14         | 23800-040-010  | PIGNON DE COMMANDE (14T)                    | 1           | 1          | 1          | 1          | 1          | 1          | 1          |             |              |
|                  |        | 15         | 23802-040-000  | PLAQUE DE FIXATION DE PIGNON<br>COMMANDE    | 1           | 1          | 1          | 1          | 1          | 1          | 1          |             |              |
|                  |        | 16         | 90084-041-000  | BOULON DE FIXATION DE PIGNON<br>DE COMMANDE | 2           | 2          | 2          | 2          | 2          | 2          | 2          |             |              |
|                  |        | 17         | 90448-357-000  | RONDELLE DE BUTEE, 17.2MM                   | 1           | 1          | 1          | 1          | 1          | 1          | 1          |             |              |
|                  |        | 18         | 90452-168-800  | RONDELLE DE BUTEE, 12MM                     | 1           | 1          | 1          | 1          | 1          | 1          | 1          |             |              |
|                  |        | 19         | 90452-437-000  | RONDELLE DE BUTEE, 16.5MM                   | 1           | 1          | 1          | 1          | 1          | 1          | 1          |             |              |
|                  |        | 20         | 90481-115-000  | RONDELLE CANNELEE, 17MM                     | 2           | 2          | 2          | 2          | 2          | 2          | 2          |             |              |
|                  |        | 21         | 90483-168-000  | RONDELLE DE BUTEE, 15MM                     | 1           | 1          | 1          | 1          | 1          | 1          | 1          |             |              |
|                  |        | 22         | 90464-168-000  | RONDELLE CANNELEE A 19MM                    | 2           | 2          | 2          | 2          | 2          | 2          | 2          |             |              |
|                  |        | 23         | 90485-168-800  | RONDELLE BLOCAGE, 19MM                      | 1           | 1          | 1          | 1          | 1          | 1          | 1          |             |              |
|                  |        | 24         | 90488-168-800  | RONDELLE DE BUTEE, 17MM                     | 1           | 1          | 1          | 1          | 1          | 1          | 1          |             |              |
|                  |        | 25         | 90601-001-000  | CIRCLIP EXTERIEUR, 17MM                     | 2           | 2          | 2          | 2          | 2          | 2          | 2          |             |              |
|                  |        | 26         | 90602-168-010  | CIRCLIP, 19MM                               | 1           | 1          | 1          | 1          | 1          | 1          | 1          |             |              |
|                  |        | 27         | 91007-GC4-701  | ROULEMENT A BILLES RADIAL,<br>6303          | 1           | 1          | 1          | 1          | 1          | 1          | 1          |             |              |
|                  |        | 28         | 91201-415-013  | JOINT D'ETANCHEITE D'HUILE,<br>17X28X7      | 1           | 1          | 1          | 1          | 1          | 1          | 1          |             |              |
|                  |        | 29         | 96120-62040-00 | ROULEMENT A BILLES RADIAL,<br>6204          |             |            | 1          | 1          | 1          | 1          | 1          |             |              |