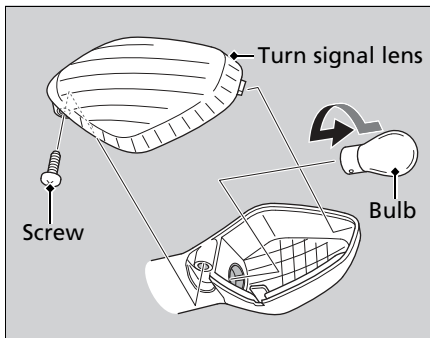


## Front/Rear Turn Signal Bulb

The right and left turn signal bulbs replacement can be done in the same way.

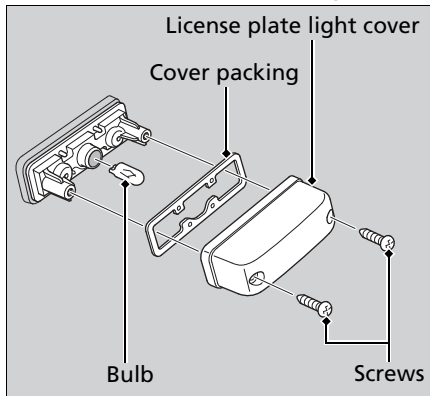
1. Remove the screw.
2. Remove the turn signal lens.
3. Slightly press the bulb and turn it counterclockwise.



4. Install a new bulb and parts in the reverse order of removal.

## License Plate Light Bulb

1. Remove the screws.
2. Remove the license plate light cover and the cover packing.
3. Pull out the bulb without turning.



4. Install a new bulb and parts in the reverse order of removal.