

# Drive Chain

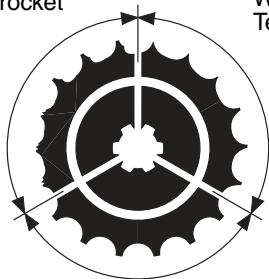
6. Inspect the front and rear sprocket teeth for excessive wear or damage. If necessary, have your dealer replace a worn sprocket.

Damaged Sprocket  
Teeth

Worn Sprocket  
Teeth

REPLACE

REPLACE



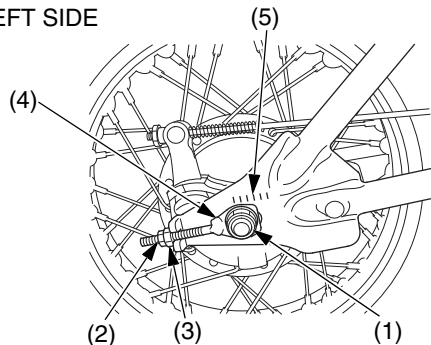
Normal Sprocket Teeth  
GOOD

## NOTICE

*Use of a new chain with worn sprockets will cause rapid chain wear.*

## Adjustment

LEFT SIDE



- (1) rear axle nut
- (2) lock nut
- (3) adjusting nut

- (4) chain adjuster
- (5) graduated scale

1. Loosen the rear axle nut (1).
2. Loosen the lock nuts (2) on both sides of the swingarm.