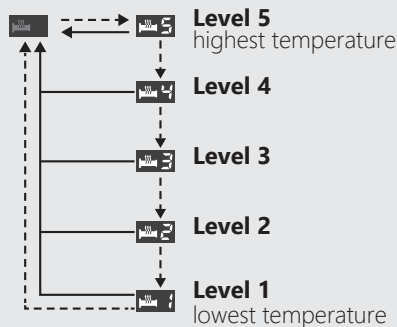


Handle Grip Heater *(Continued)*

No indication (Off)



- > Press the handle grip heater switch
- > Press and hold the handle grip heater switch

Maintains the selected level when the ignition switch is turned to the OFF position.

- u The heater level is not changed if the ignition switch is turned to the OFF position within 5 seconds after heater level changed.