

LAP TIME

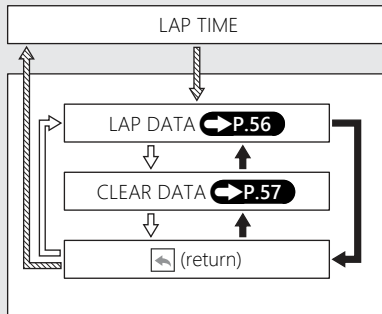
To Set the LAP TIME Menu

- 1 Select the "LAP TIME" menu on the main menu screen. **➔P.43**
- 2 Select the menu by pressing the **SEL** **▲** (up) or **SEL** **▼** (down) button, and press the **MODE** button.

To end the setting

Select the **◀** (return) on the menu screen.
The display returns to the "LAP TIME" menu on the main menu screen.

"LAP TIME" is selected



➔ Press the **MODE** button

➔ Press the **SEL** **▲** (up) button

➔ Press the **SEL** **▼** (down) button