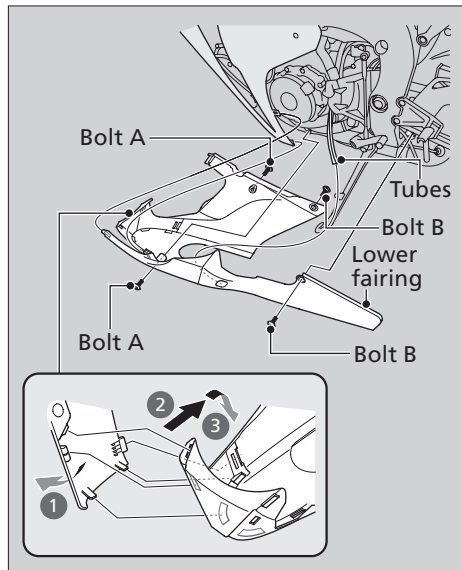


Lower Fairing



The lower fairing must be removed to adjust the clutch lever freeplay and to change the oil filter.

Removal

1. Remove the bolts A and bolts B.
2. Remove the lower fairing carefully in the procedure shown in the illustration.

Installation

Install the parts in the reverse order of removal.

Route the tubes through the opening of the lower fairing.