

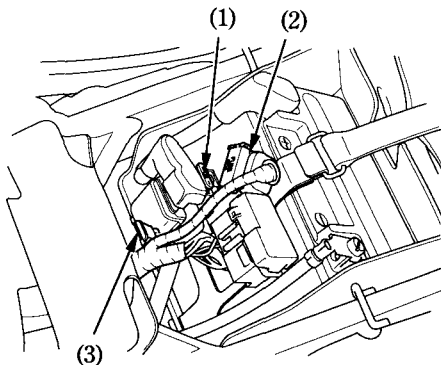
### Main fuse:

The main fuse (1) is located under the seat.

The specified fuse is:

**30A**

1. Remove the seat (page 39).
2. Disconnect the wire connector (2) of the starter magnetic switch.
3. Pull out the old fuse and install a new fuse. The spare fuse (3) is located under the starter magnetic switch.
4. Reconnect the connector and install the seat.



(1) Main fuse

(2) Wire connector

(3) Spare fuse