

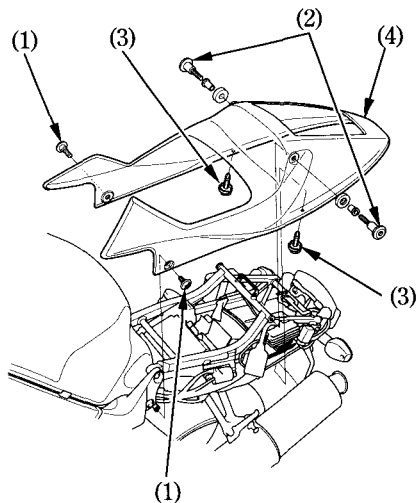
REAR COWL

Removal:

1. Remove the front seat (page 51).
2. Remove the rear seat (page 51).
3. Remove the bolts A (1) and bolts B (2).
4. Remove the clips (3).
5. Remove the rear cowl (4).

Installation:

- Installation can be done in the reverse order of removal.



- (1) Bolts A
(2) Bolts B

- (3) Clips
(4) Rear cowl