

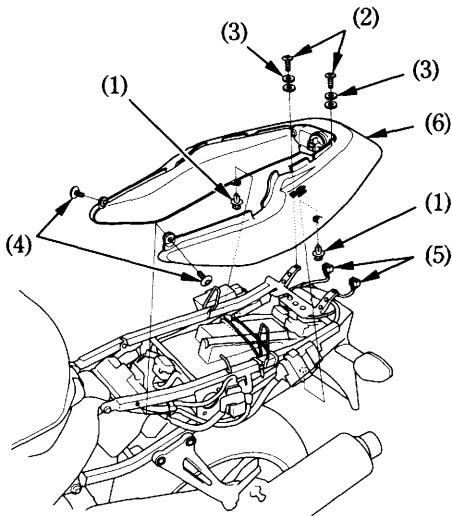
## REAR COWL

### Removal:

1. Remove the seat (page 53).
2. Remove the clips (1).
3. Remove the screws (2), bolts (4) and washers (3).
4. Disconnect the Stop/Taillight connectors (5).
5. Remove the rear cowl (6).

### Installation:

- Installation can be done in the reverse order of removal.



- |             |                               |
|-------------|-------------------------------|
| (1) Clips   | (4) Bolts                     |
| (2) Screws  | (5) Stop/Taillight connectors |
| (3) Washers | (6) Rear cowl                 |