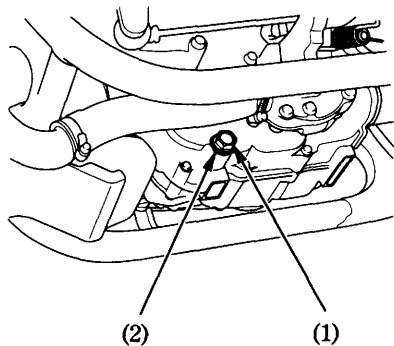


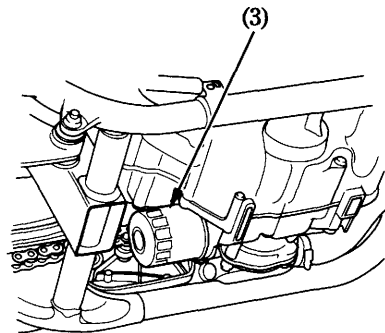
1. To drain the oil, remove the oil filler cap and oil drain plug (1) and sealing washer (2).



(1) Oil drain plug

(2) Sealing washer

2. Remove the oil filter (3) with a filter wrench and let the remaining oil drain out. Discard the oil filter.
3. Check that the new oil filter rubber seal is in good condition.



(3) Oil filter