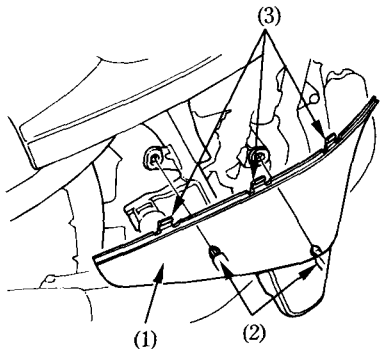


SIDE COVER

To remove the right and left side covers (1), pull out the prongs (2) and then gently pull the side cover down to release the tabs (3).



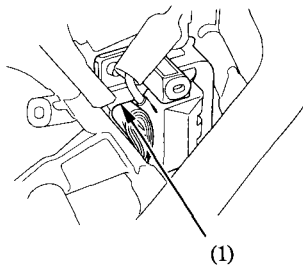
- (1) Side cover
- (2) Prongs

- (3) Tabs

DOCUMENT COMPARTMENT

The document compartment (1) behind the right side cover.

This owner's manual and other documents should be stored in this compartment. When washing your motorcycle, be careful not to flood this area with water.



- (1) Document compartment