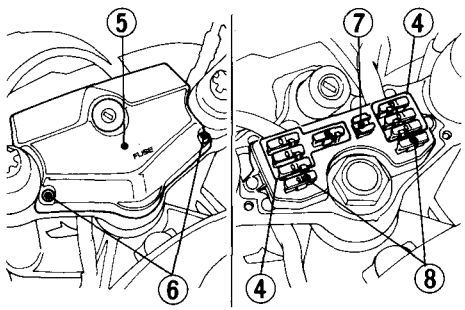


To replace fuses (4) in the fuse box (5), remove the screws (6) and fuse box cover. Pull the old fuse out of the clips with the fuse remover (7). Push a new fuse into the clips and install the fuse box cover. The spare fuses (8) are located in the fuse box.

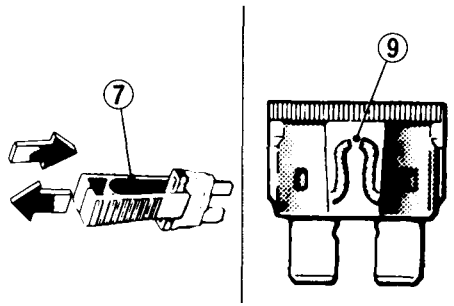
⚠ WARNING

* *Never use a fuse with a different rating from that specified. Serious damage to the electrical system or a fire may result, causing a dangerous loss of lights or engine power.*



(4) Fuses
(5) Fuse box
(6) Screws

(7) Fuse remover
(8) Spare fuses



(7) Fuse remover

(9) Blown fuse