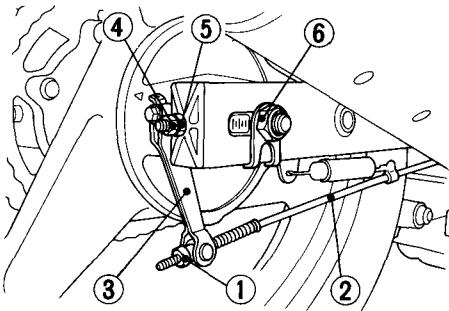


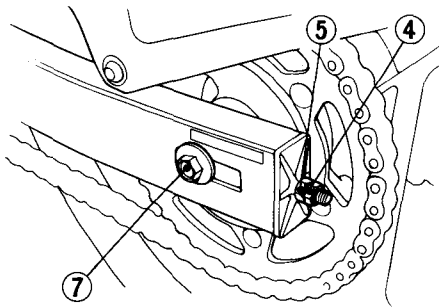
## Rear Wheel Removal

1. Place the motorcycle on its center stand.
2. Remove the rear brake adjusting nut (1). Disconnect the brake rod (2) from the brake arm (3).
3. Loosen the drive chain lock nuts (4) and adjusting nuts (5).



- |                         |                          |
|-------------------------|--------------------------|
| (1) Brake adjusting nut | (4) Lock nuts            |
| (2) Brake rod           | (5) Chain adjusting nuts |
| (3) Brake arm           | (6) Axle nut             |

4. Remove the axle nut (6) and pull out the rear axle (7). Push the wheel forward and remove the drive chain from the rear sprocket.
5. Pull out the wheel from the swingarm.



(7) Rear axle