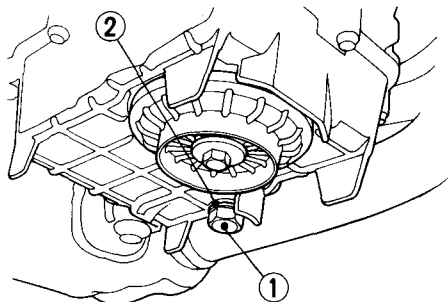


Engine oil quality is the chief factor affecting engine service life. Change the engine oil as specified in the maintenance schedule (page 52).

NOTE:

* Change the engine oil with the engine at normal operating temperature and the motorcycle on its side stand to assure complete and rapid draining.

1. To drain the oil, remove the oil filler cap, oil drain plug (1) and sealing washer (2).



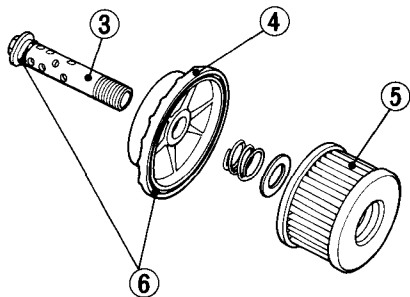
(1) Oil drain plug

(2) Sealing washer

2. Remove the oil filter bolt (3) and cover (4).
3. Remove the oil filter element (5) from the cover.
4. Insert a new oil filter element. Check that the O-rings (6) are in good condition.
5. Install all parts as shown below. Install the oil filter cover and tighten the oil filter bolt.

Oil Filter Bolt Torque:

18 N·m (1.8 kg-m, 13 ft-lb)



(3) Oil filter bolt

(4) Oil filter cover

(5) Oil filter element

(6) O-rings