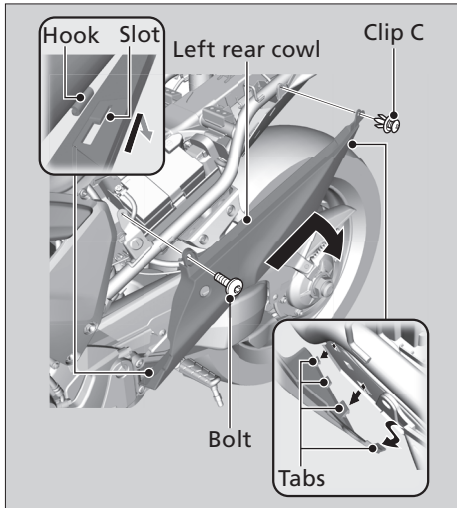


## Removing & Installing Body Components ► Left Rear Cowl

### Left Rear Cowl



The left rear cowl must be removed to remove the battery.

#### ■ Removal

1. Remove the seat. ►P.54
2. Remove the clip C and bolt.
3. Release the rear cowl tabs from the rear fender slots.
  - Carefully release the tabs.
4. Release the hook from the slot by pulling the left rear cowl back, then remove the left rear cowl.
  - Be careful not to apply weight to the rear cowl.

#### ■ Installation

Install the parts in the reverse order of removal.