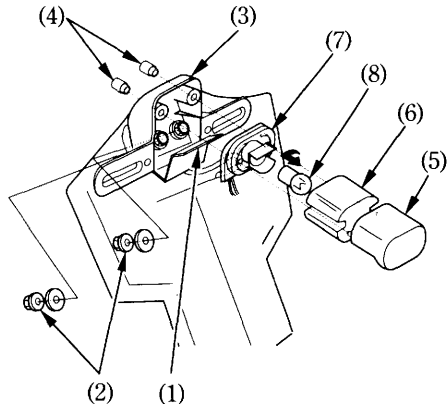


## License Light Bulb

1. Open the license plate bracket cover (1).
2. Remove the A nuts (2), washers and license plate bracket (3).
3. Remove the B nuts (4), license light cover (5), license light lens (6) and socket (7) from the license plate bracket.
4. Slightly press the bulb (8) and turn it counterclockwise.
5. Install a new bulb in the reverse order of removal.
6. Install the removed parts in the reverse order of removal.
7. Close the license plate bracket cover (1).



- (1) License plate bracket cover
- (2) A nuts
- (3) License plate bracket
- (4) B nuts
- (5) License light cover
- (6) License light lens
- (7) Socket
- (8) Bulb