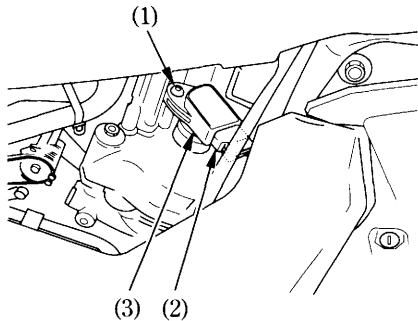


1. To remove the spark plug from the rear cylinder, raise the fuel tank (page 68).
2. Remove the bolts (1).
3. Disconnect the ignition coil connectors (2).
4. Remove the ignition coils (3) from the spark plugs.

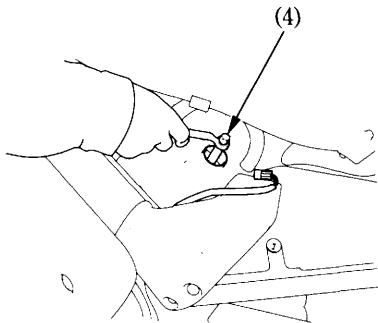


- (1) Bolts
(2) Ignition coil connectors
(3) Ignition coils

100

5. Clean any dirt from around the spark plug bases.
Remove the spark plugs using the spark plug wrench (4) furnished in the tool kit.

Be careful not to damage the hoses and the wire harness.



- (4) Spark plug wrench