

### Starting Primer Knob

The starting primer knob (Fig. 2-9 ) is on the carburetor float bowl on the left side of the FOURTRAX. To start the engine when air temperature is below  $-15^{\circ}\text{C}$  ( $5^{\circ}\text{F}$ ), push the knob in two or three times before pressing the starter button.

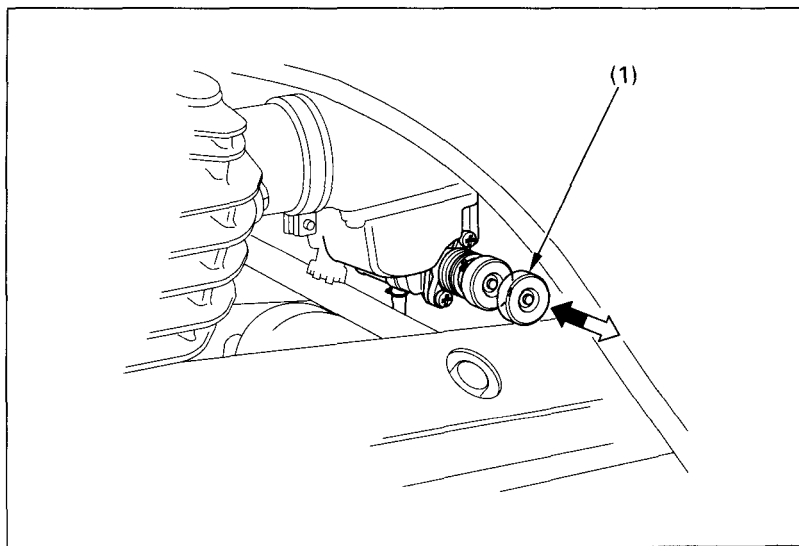


Fig. 2-9

(1) Starting primer knob