

SEAT REMOVAL

To remove the seat (Fig. 4-33), pull up the seat lock lever (1) behind the seat and lift it up.

If the muffler is hot, take care to lift the seat so that the rear fender does not touch the silencer.

CAUTION:

Allowing the rear fender to touch a hot muffler while removing the seat may damage the plastic.

To install the seat, align the tabs on the seat with the grommets on the frame and press the seat down until it locks.

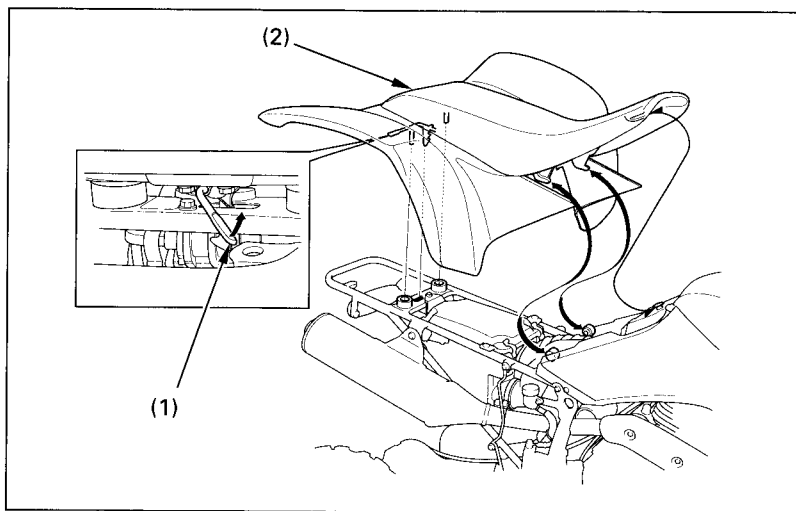


Fig. 4-33

(1) Seat lock lever

(2) Seat