

- (17) Rear brake fluid reservoir
- (18) Front brake fluid reservoir
- (19) Rear brake pedal
- (20) Operator footpeg

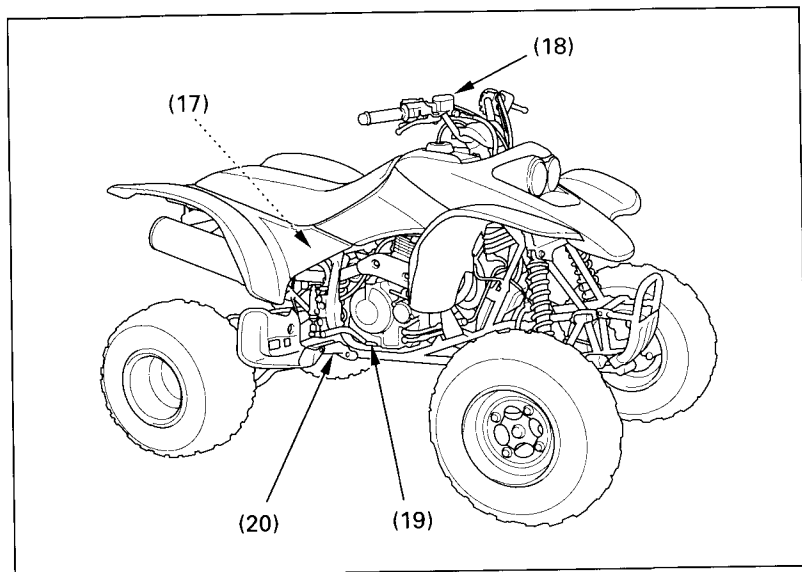


Fig. 2-3

Right side of FOURTRAX