



Tool Kit

The tool kit (1) is stored under the seat (page 86).
After using the tools, be sure to use the rubber band (2) to fasten the tool kit securely.

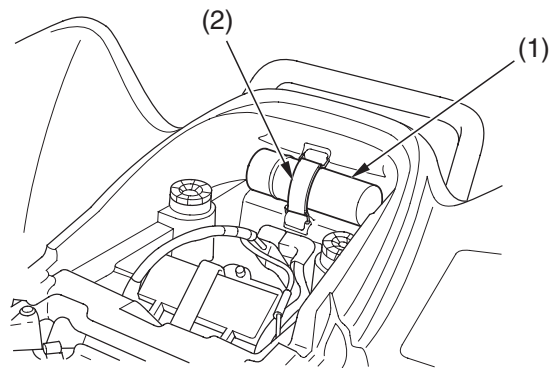
The tools in the kit are sufficient to perform routine maintenance and simple repairs. Any extensive work requiring additional tools should be performed by your Honda dealer.

The tool kit includes the following items:

- * standard/Phillips screwdriver
- * screwdriver handle
- * air pressure gauge
- * spark plug wrench
- * tool case



UNDER SEAT



- (1) tool kit
- (2) rubber band

