

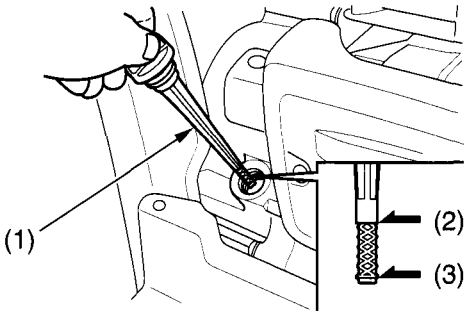
Engine Oil

5. If required, add the specified oil into the filler cap hole, up to the upper level mark on the oil filler cap/dipstick. Do not overfill.
6. Reinstall the oil filler cap/dipstick.

NOTICE

Running the engine with an improper oil level can cause serious engine damage.

LEFT SIDE



(1) oil filler cap/dipstick

(2) upper level mark

(3) lower level mark