

Adjusting Idle Speed

NOTE:

Do not try to compensate for faults in other systems by adjusting the carburetor.

To adjust the idle speed:

1. Warm up the engine. The engine must be warm for accurate idle adjustment. Ten minutes of stop-and-go riding is sufficient.
2. Adjust idle speed by turning the throttle stop screw (Fig. 4-9).

Idle Speed:

$1,400 \pm 100$ rpm

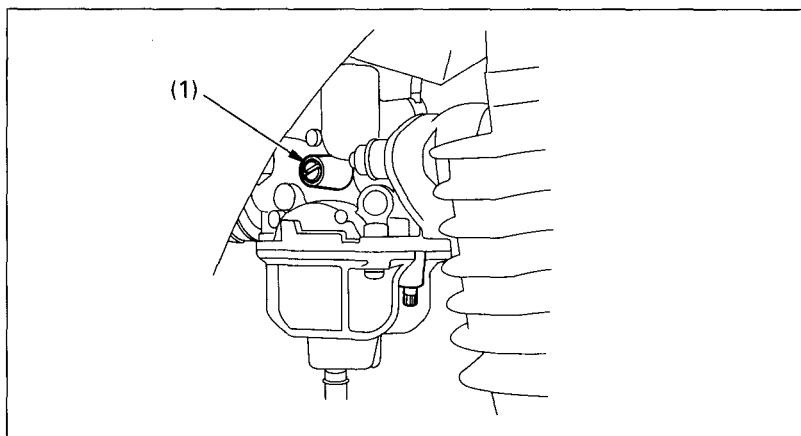


Fig. 4-9

(1) Throttle stop screw