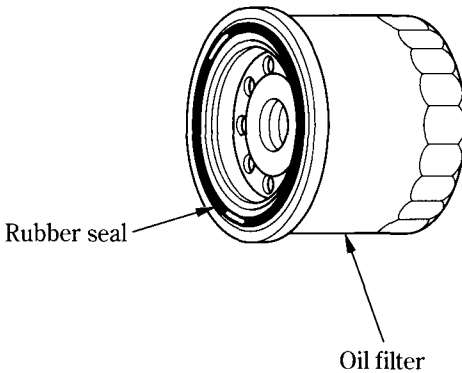


# MAINTENANCE

---

4. Apply a thin coat of engine oil to the new oil filter rubber seal.



5. Using a special tool and a torque wrench, install the new oil filter and tighten to a torque of:

26 N·m (2.7 kgf·m , 20 lbf·ft)

Use only the Honda genuine oil filter or a filter of equivalent quality specified for your model. Using the wrong Honda filter or a non-Honda filter which is not of equivalent quality may cause engine damage.

6. Check that the sealing washer on the drain plug is in good condition and install the plug. Replace the sealing washer every other time the oil is changed, or each time if necessary.

Oil Drain Plug Torque:

29 N·m (3.0 kgf·m , 22 lbf·ft)

7. Fill the crankcase with the recommended grade oil; approximately:

3.9 ℓ (4.1 US qt , 3.4 Imp qt)

8. Install the oil filler cap.

9. Start the engine and let it idle for 2–3 minutes.

10. Several minutes after stopping the engine, check that the oil level is at the upper level mark in the inspection window with the motorcycle upright on firm, level ground. Make sure there are no oil leaks.