

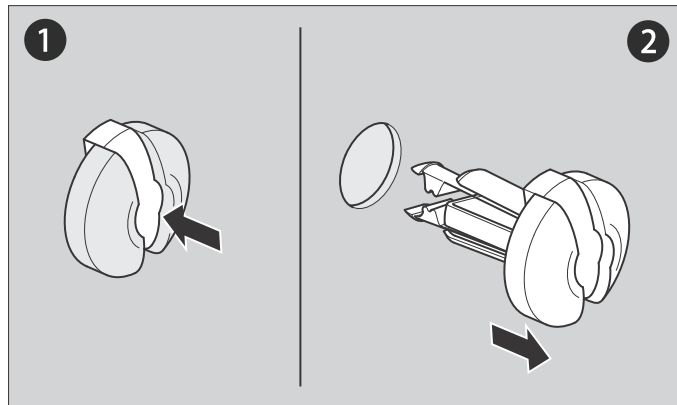
Removing & Installing Body Components ► Clip

Clip

The clip must be removed to open the owner's manual box.

Removal

1. Press down on the centre pin to release the lock.
2. Pull the clip out of the hole.



Installation

1. Slightly open the retaining pawls and then push them out.
2. Insert the clip into the hole.
3. Lightly press down on the centre pin to lock the clip.

