

MAINTENANCE

SERIAL NUMBERS

The frame and engine serial numbers are required when registering your motorcycle. They may also be required by your dealer when ordering replacement parts.

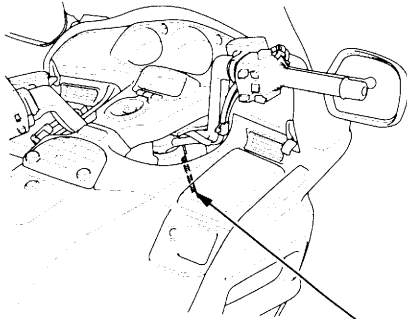
Record the numbers here for your reference.

The frame number is stamped on the right side of the steering head.

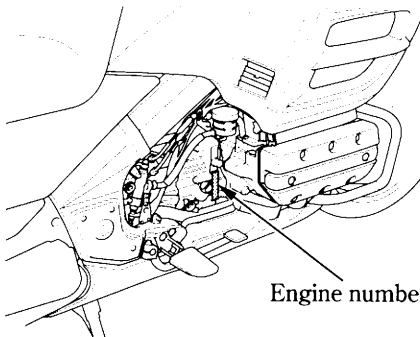
The engine number is stamped on the right side of the crankcase, near the oil level gauge.

FRAME NO. _____

ENGINE NO. _____



Frame number



Engine number