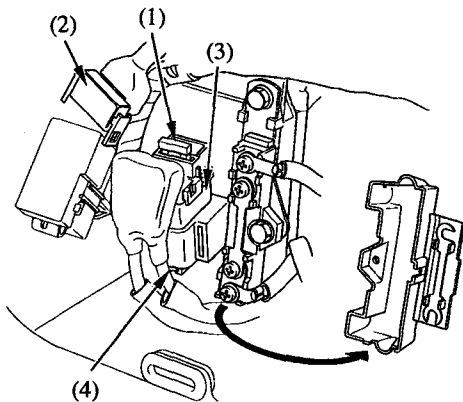


Main fuse A:

The main fuse A (1), located on the starter magnetic switch behind the right side cover, is: 30A

1. Turn the ignition switch OFF before checking or replacing a fuse to prevent an accidental short circuit.
2. Remove the right side cover (page 42).
3. Disconnect the wire connector (2) of the starter magnetic switch (3).
4. Pull out the fuse. If the main fuse is blown, install a new fuse.
The spare main fuse (4) is located under the starter magnetic switch.
5. Reconnect the wire connector and install the right side cover.



- | | |
|--------------------|-----------------------------|
| (1) Main fuse A | (3) Starter magnetic switch |
| (2) Wire connector | (4) Spare main fuse |