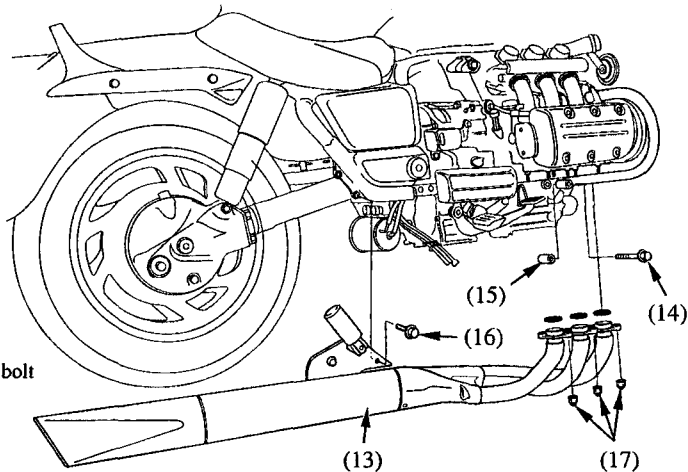


4. Remove the right muffler (13).

- 1) Remove the bumper mount bolt (14) and collar (15).
- 2) Remove the passenger footpeg bracket bolts (16).
- 3) Remove the exhaust pipe joint nuts (17).



- (13) Right muffler
- (14) Bumper mount bolt
- (15) Collar
- (16) Passenger footpeg bracket bolt
- (17) Exhaust pipe joint nuts