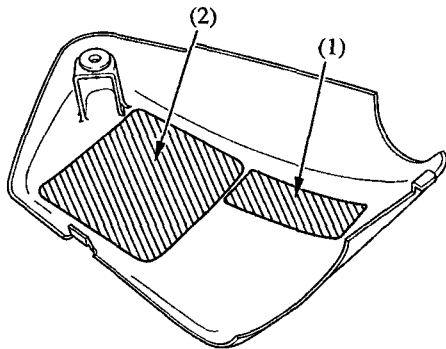


EMISSION REQUIREMENTS

The U.S. Environmental Protection Agency, the California Air Resources Board (CARB), and Transport Canada require that your motorcycle comply with applicable exhaust emissions standards during its useful life, when operated and maintained according to the instructions provided, and that motorcycles built after January 1, 1983 comply with applicable noise emission standards (USA only) for one year or 6,000 km (3,730 miles) after the time of sale to the ultimate purchaser, when operated and maintained according to the instructions provided. Compliance with the terms of the Distributor's Warranties for Honda Motorcycle Emission Control Systems is necessary in order to keep the emissions system warranty in effect.

The Vehicle Emission Control Information Label (1) is attached to the inside of the left side cover.

The Vacuum Hose Routing Diagram Label (2) is attached behind the left side cover. (California only)



- (1) Vehicle Emission Control Information Label
- (2) Vacuum Hose Routing Diagram Label