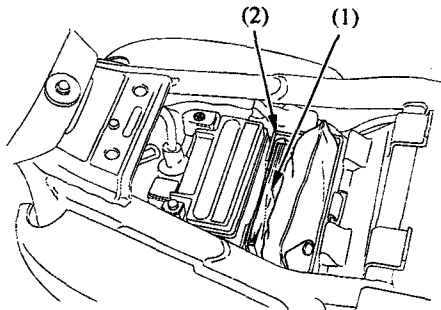


## OWNER'S MANUAL STORAGE

The owner's manual (and other documents) should be stored in the plastic bag (1) in the owner's manual storage compartment (2) under the seat.

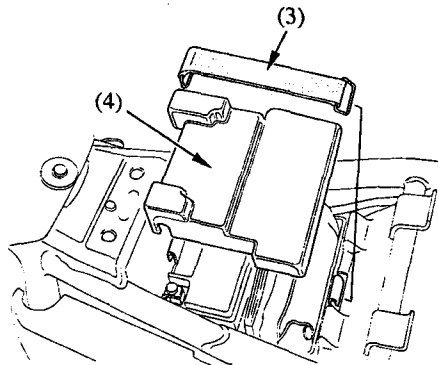
When washing your motorcycle, be careful not to flood this area with water.



- (1) Owner's manual storage bag
- (2) Owner's manual storage compartment

### To access the compartment:

1. Remove the seat (page 39).
2. Remove the rubber band (3) and battery cover(4).



- (3) Rubber band
- (4) Battery cover