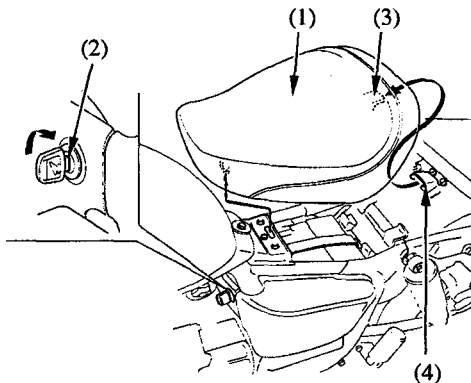


SEAT

To remove the seat (1), insert the ignition key into the seat lock (2) and turn it clockwise. Remove the seat by pulling up and forward.

To install the seat, insert the prong (3) into the seat stay under the rear seat. Push the front of the seat down to lock the seat.

Be sure to securely lock the seat after reinstalling it.



(1) Seat
(2) Seat lock

(3) Prong
(4) Seat stay