

FINAL DRIVE OIL

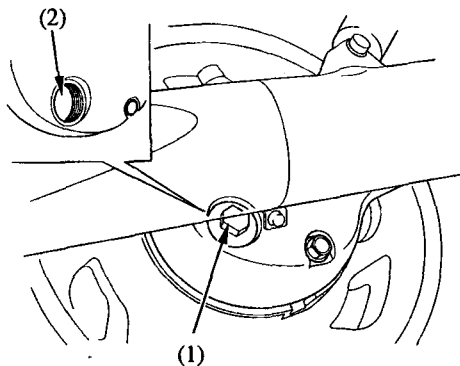
Oil Level Check

Check the final drive oil level when specified by the maintenance schedule (page 64).

1. Hold the motorcycle upright on firm level ground.
2. Remove the oil filler cap (1).
3. Check that the oil level reaches the lower edge of the oil filler hole (2).

If the level is low, check for leaks. Pour fresh oil through the oil filler hole until it reaches the lower edge of the opening.

**Recommended Oil: HYPOID GEAR OIL
SAE 80**



- (1) Oil filler cap
(2) Oil filler hole