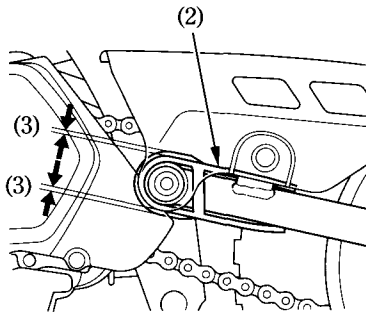


4. Check the chain slider (2) for wear.  
If the ridge (3) in the center of the slider is worn, have your Honda dealer replace the chain slider.

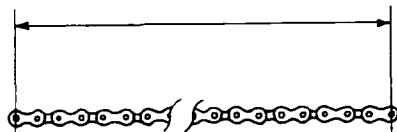


- (2) Chain slider  
(3) Ridge

5. Measure a section of the drive chain to determine whether the chain is worn beyond its service limit. Remove the drive chain and measure the distance between a span of pins from pin center to pin center. If the distance exceeds the service limit, the chain is worn out and should be replaced.

**New Chain:**  
978 mm (38.5 in)

**Service Limit:**  
997 mm (39.3 in)



Measure a span of : 77 pins.