

# MAJOR COMPONENTS (Information you need to operate this motorcycle)

## **▲WARNING**

- \* If the Pre-ride Inspection (page 51) is not performed, severe personal injury or vehicle damage may result.**

## SUSPENSION

### Front Suspension

#### Spring preload:

Adjust the spring preload by turning the preload adjuster (1) with the 10x14 mm wrench provided in the tool kit.

To reduce (SOFT) :

Turn the adjuster counterclockwise toward SOFT for a light load and smooth road condition.

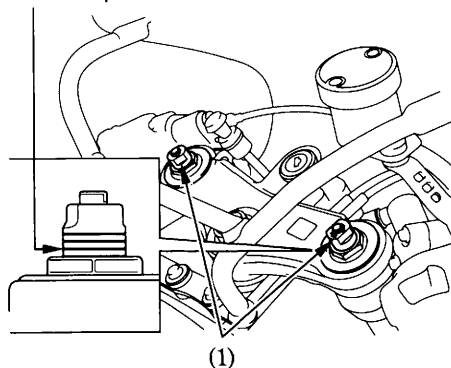
To increase (HARD) :

Turn the adjuster clockwise toward HARD for a firmer ride and rough road condition.

#### Standard position:

To return to the standard position, turn the adjusters until the third groove from the top aligns with the top surface of the fork caps.

#### Standard position



(1) Preload adjuster