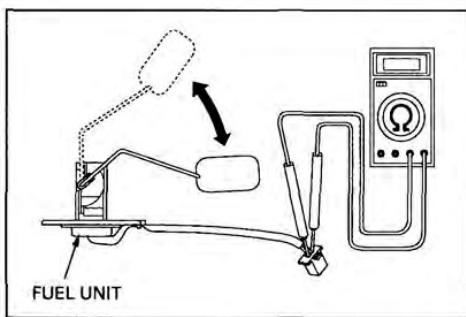


## LIGHTS/METERS/SWITCHES

Measure the resistance between the terminals as follows:

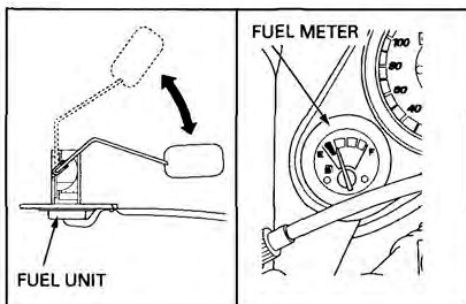
	FULL	EMPTY
Green - Blue/White	566 $\Omega$	33 $\Omega$
Green - Yellow/White	33 $\Omega$	566 $\Omega$
Blue/White - Yellow/White	600 $\Omega$	600 $\Omega$



Reconnect the fuel unit 3P connector and turn the ignition switch ON.

Move the fuel unit float up and down and make sure that the fuel gauge needle moves smoothly.

**FLOAT UP:** Needle in "FULL"  
**FLOAT DOWN:** Needle in "EMPTY"



## FUEL UNIT INSTALLATION

Install the new O-ring.  
Install the fuel unit.



Install and tighten the four nuts.

